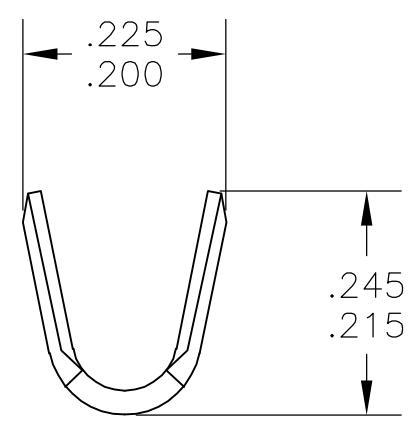
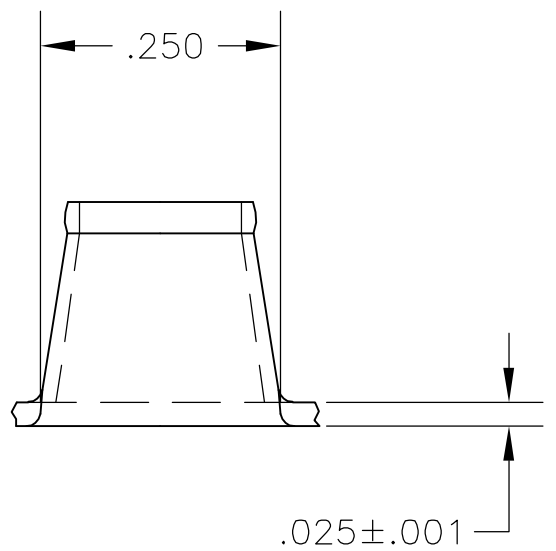
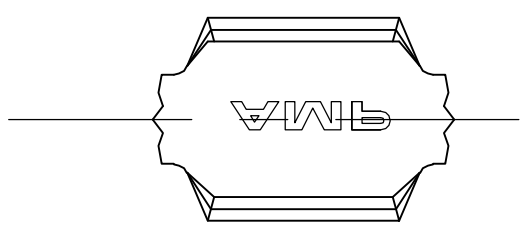


THIS DRAWING IS UNPUBLISHED. RELEASED FOR PUBLICATION
 © COPYRIGHT BY TYCO ELECTRONICS CORPORATION. ALL RIGHTS RESERVED.

LOC	DIST	REVISIONS					
AF	50	P	LTR	DESCRIPTION	DATE	DWN	APVD
			A1	REVISED PER ECR-05-012571	14NOV05	MF	GP

- 1 CONTINUOUS STRIP ON REELS
- 2 WIRE RANGE FOR NEW APPLICATIONS: 7400-10,000 CMA
 (WIRE RANGE APPROVED FOR APPLICATIONS IMPLEMENTED
 PRIOR TO 2005: 4000-10,000 CMA).



62357-1
 PART NO

THIS DRAWING IS A CONTROLLED DOCUMENT.		DWN	jr ruth	24NOV04	tyco Electronics	Tyco Electronics Corporation	
DIMENSIONS: INCHES		CHK	G PORTA	24NOV04		Harrisburg, PA 17105-3608	
	TOLERANCES UNLESS OTHERWISE SPECIFIED: 0 PLC ± - 1 PLC ± - 2 PLC ± - 3 PLC ± .015 4 PLC ± - ± 5' ANGLES ± 5'	APVD	G PORTA	24NOV04	NAME SPLICE		
		PRODUCT SPEC			RESTRICTED TO		
MATERIAL	FINISH	APPLICATION SPEC			SIZE	CAGE CODE	DRAWING NO
TEMP 1 BTRASS	-	WEIGHT			A3	00779	C-62357
CUSTOMER DRAWING					SCALE	1:1	SHEET
					1 OF 1		REV
							A1